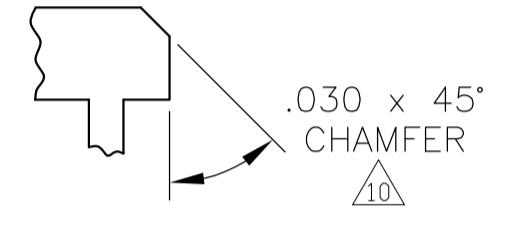
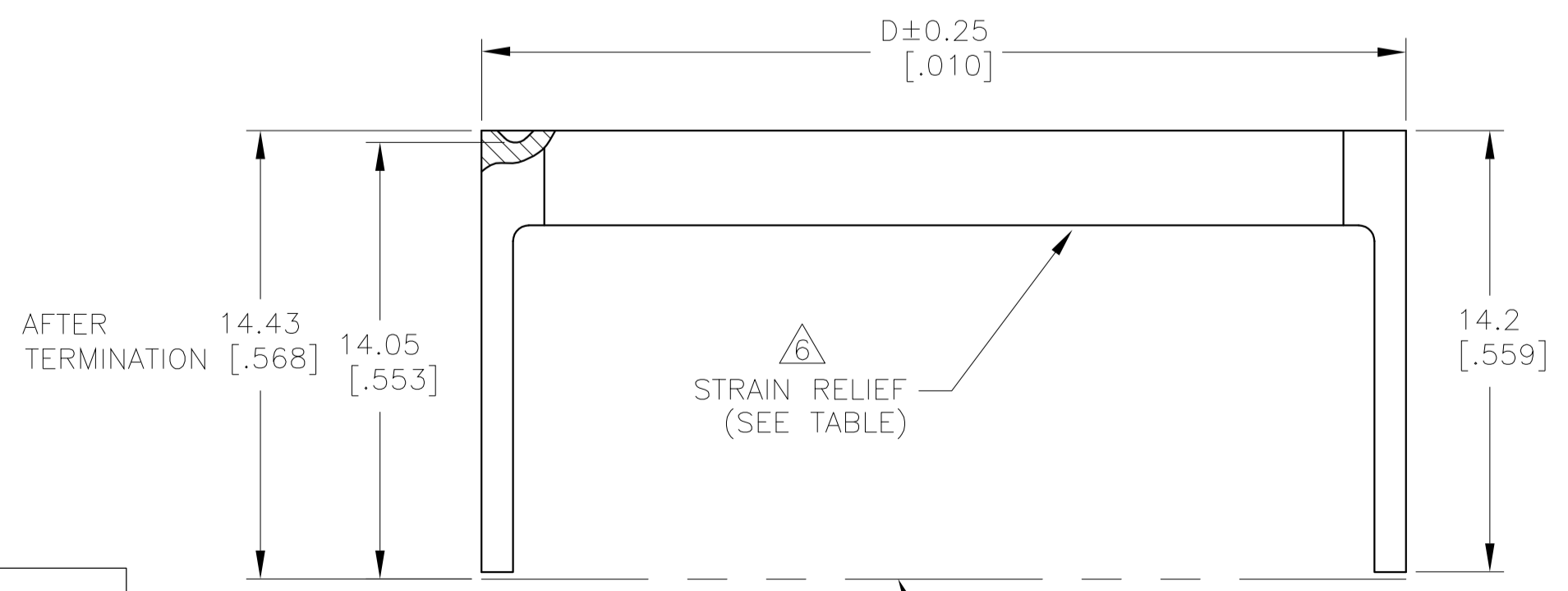
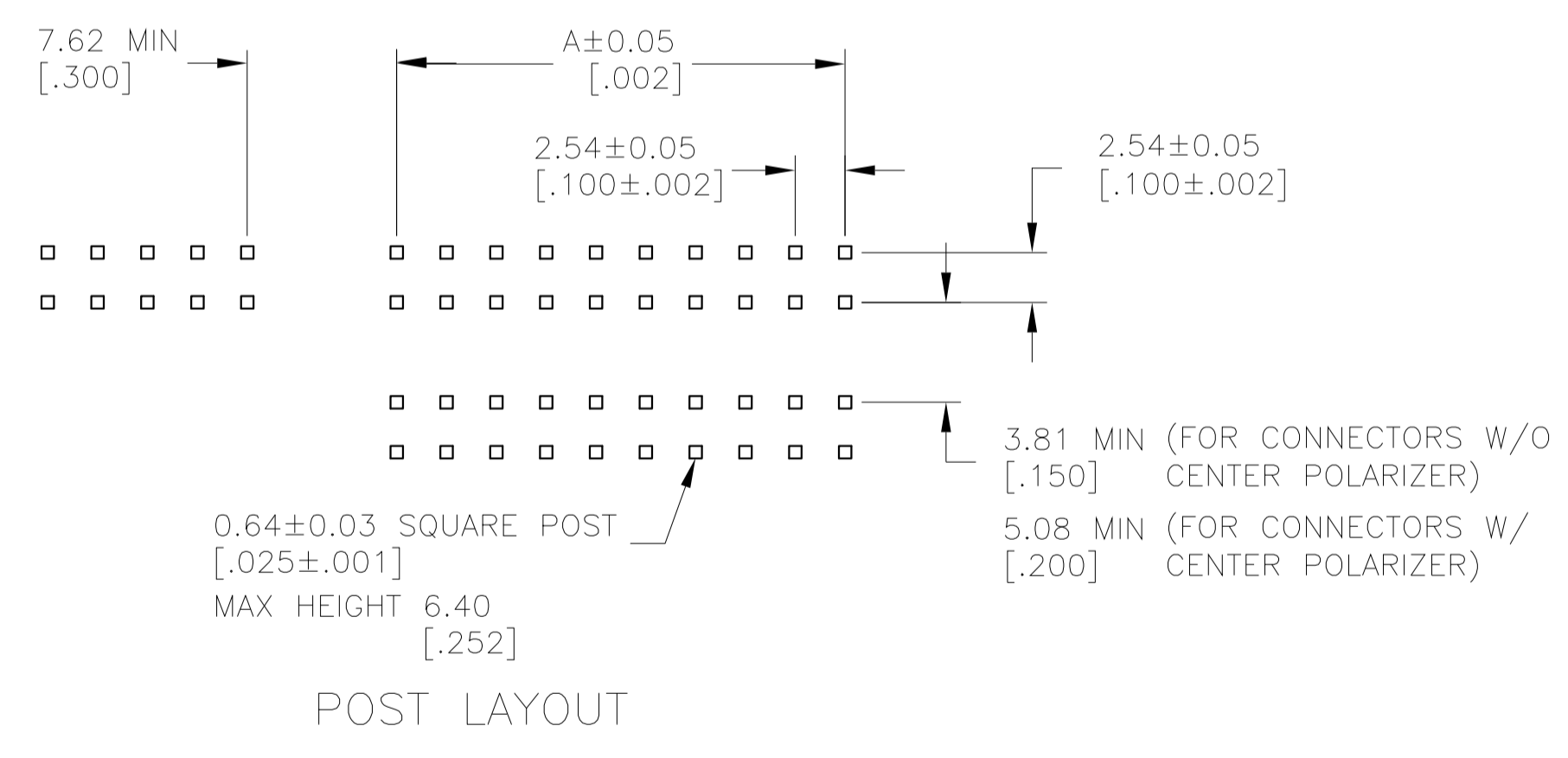
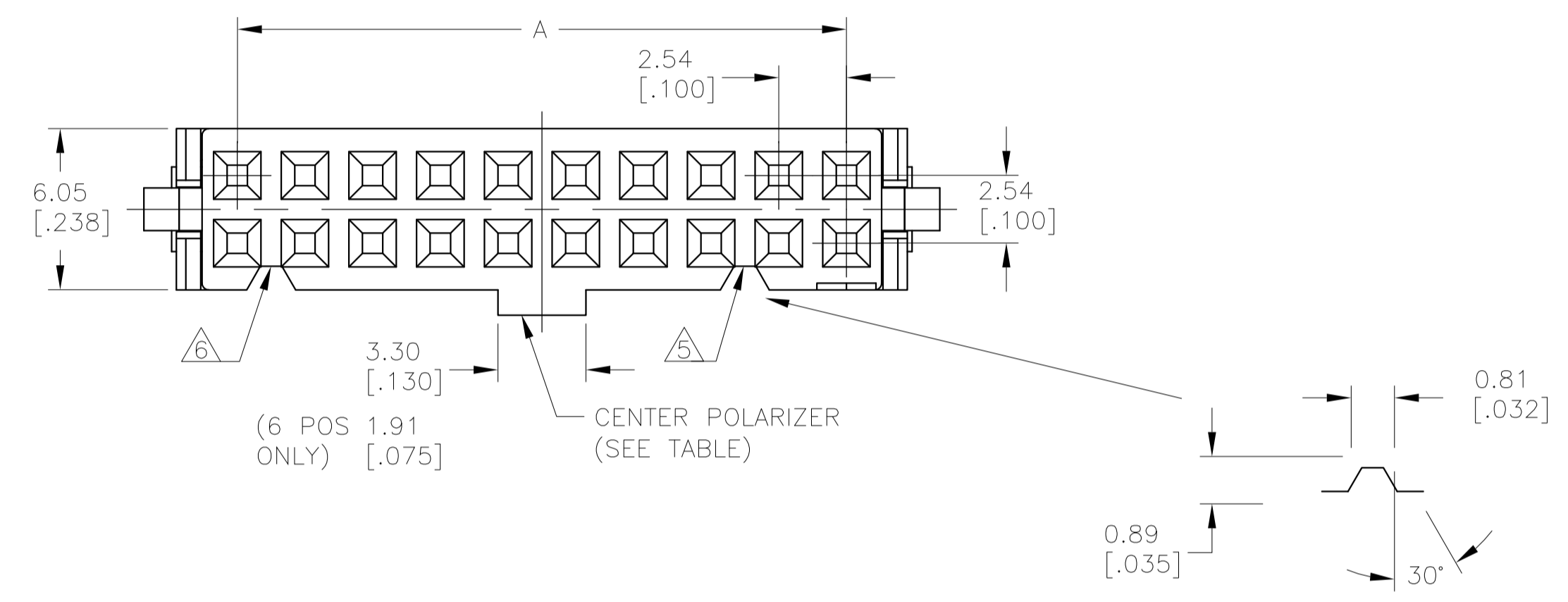


POLARIZING KEY
 TYCO PART NUMBER: 1-1437023-2
 T&B PART NUMBER (REF): 609-0000
 PURCHASE SEPARATELY



DETAIL X
SCALE 5:1

- 20 POSITION CONNECTOR ASSEMBLY SHOWN.
- MOLDED PARTS: THERMOPLASTIC, UL94V-0 RATED, COLOR BLUE. CONTACTS: BERYLLIUM COPPER.
- CONTACTS: 0.00076[.000030] MIN GOLD ON MATING AREA, 0.00254-0.00508[.000100-.000200] BRIGHT TIN LEAD ON TERMINATION END, ALL OVER 0.00127[.000050] MIN NICKEL ON ENTIRE CONTACT.
- CONTACTS: 0.00127[.000050] MIN GOLD ON MATING AREA, 0.00254-0.00508[.000100-.000200] BRIGHT TIN LEAD ON TERMINATION END, ALL OVER 0.00127[.000050] MIN NICKEL ON ENTIRE CONTACT.
- POLARIZER FEATURE DOES NOT EXIST ON POSITION #1 END FOR 14 POSITION AND SMALLER ASSEMBLIES.
- POLARIZER FEATURE DOES NOT EXIST ON THIS END FOR 6 POSITION ASSEMBLY.
- FOR TERMINATION OF 28 OR 30 AWG STRANDED PVC INSULATED FLAT RIBBON CABLE.
- STRAIN RELIEF PACKAGED SEPARATELY AND SHIPPED WITH ASSEMBLY.
- DATE CODE STAMPED ON THIS SIDE OF CONNECTOR. 6 POSITION CONNECTORS EXCLUDED.
- ALTERNATE COVER END APPLIES TO INDICATED NUMBERS.



OBSOLETE	YES	YES	3	85.65[3.372]	85.75[3.376]	80.01[3.150]	78.74[3.100]	64	609-6441	1-1437022-5
OBSOLETE	NO	YES	3	-	85.75[3.376]	80.01[3.150]	78.74[3.100]	64	609-6430	1-1437022-2
OBSOLETE	YES	YES	3	67.87[2.672]	67.97[2.676]	62.23[2.450]	60.96[2.400]	50	609-5041	8-1437021-3
OBSOLETE	NO	YES	3	-	67.97[2.676]	62.23[2.450]	60.96[2.400]	50	609-5030	7-1437021-4
OBSOLETE	YES	NO	3	67.87[2.672]	67.97[2.676]	62.23[2.450]	60.96[2.400]	50	609-5001M	7-1437021-1
OBSOLETE	NO	NO	3	-	67.97[2.676]	62.23[2.450]	60.96[2.400]	50	609-5000M	6-1437021-8
OBSOLETE	YES	YES	3	55.17[2.172]	55.27[2.176]	49.53[1.950]	48.26[1.900]	40	609-4041	5-1437021-7
OBSOLETE	NO	YES	3	-	55.27[2.176]	49.53[1.950]	48.26[1.900]	40	609-4030	5-1437021-0
OBSOLETE	YES	NO	3	55.17[2.172]	55.27[2.176]	49.53[1.950]	48.26[1.900]	40	609-4001M	4-1437021-7
OBSOLETE	NO	NO	3	-	55.27[2.176]	49.53[1.950]	48.26[1.900]	40	609-4000M	4-1437021-4
OBSOLETE	YES	YES	3	50.09[1.972]	50.19[1.976]	44.45[1.750]	43.18[1.700]	36	609-3641	4-1437021-2
OBSOLETE	NO	YES	3	-	50.19[1.976]	44.45[1.750]	43.18[1.700]	36	609-3630	4-1437021-0
OBSOLETE	YES	YES	3	47.55[1.872]	47.65[1.876]	41.91[1.650]	40.64[1.600]	34	609-3441	3-1437021-4
OBSOLETE	NO	YES	3	-	47.65[1.876]	41.91[1.650]	40.64[1.600]	34	609-3430	2-1437021-6
OBSOLETE	YES	NO	3	47.55[1.872]	47.65[1.876]	41.91[1.650]	40.64[1.600]	34	609-3401M	2-1437021-2
OBSOLETE	NO	NO	3	-	47.65[1.876]	41.91[1.650]	40.64[1.600]	34	609-3400M	1-1437021-9
OBSOLETE	YES	YES	3	37.39[1.472]	37.49[1.476]	31.75[1.250]	30.48[1.200]	26	609-2641	1-1437021-4
OBSOLETE	NO	YES	3	-	37.49[1.476]	31.75[1.250]	30.48[1.200]	26	609-2630	1437021-5
OBSOLETE	YES	NO	3	37.39[1.472]	37.49[1.476]	31.75[1.250]	30.48[1.200]	26	609-2601M	1437021-2
OBSOLETE	NO	NO	3	-	37.49[1.476]	31.75[1.250]	30.48[1.200]	26	609-2600M	9-1437020-8
OBSOLETE	YES	YES	3	34.85[1.372]	34.95[1.376]	29.21[1.150]	27.94[1.100]	24	609-2441	9-1437020-6
OBSOLETE	NO	YES	3	-	34.95[1.376]	29.21[1.150]	27.94[1.100]	24	609-2430	9-1437020-3
OBSOLETE	NO	NO	3	-	34.95[1.376]	29.21[1.150]	27.94[1.100]	24	609-2400M	9-1437020-1
OBSOLETE	YES	YES	3	29.77[1.172]	29.87[1.176]	24.13[.950]	22.86[.900]	20	609-2041	8-1437020-8
OBSOLETE	NO	YES	3	-	29.87[1.176]	24.13[.950]	22.86[.900]	20	609-2030	7-1437020-9
OBSOLETE	YES	NO	3	29.77[1.172]	29.87[1.176]	24.13[.950]	22.86[.900]	20	609-2001M	7-1437020-6
OBSOLETE	NO	NO	3	-	29.87[1.176]	24.13[.950]	22.86[.900]	20	609-2000M	7-1437020-2
OBSOLETE	NO	NO	4	-	29.87[1.176]	24.13[.950]	22.86[.900]	20	609-2000MP005	7-1437020-3
OBSOLETE	YES	YES	3	24.69[.972]	24.79[.976]	19.05[.750]	17.78[.700]	16	609-1641	6-1437020-8
OBSOLETE	NO	YES	3	-	24.79[.976]	19.05[.750]	17.78[.700]	16	609-1630	6-1437020-1
OBSOLETE	YES	NO	3	24.69[.972]	24.79[.976]	19.05[.750]	17.78[.700]	16	609-1601M	5-1437020-9
OBSOLETE	NO	NO	3	-	24.79[.976]	19.05[.750]	17.78[.700]	16	609-1600M	5-1437020-6
OBSOLETE	YES	YES	3	22.15[.872]	22.25[.876]	16.51[.650]	15.24[.600]	14	609-1441	5-1437020-2
OBSOLETE	NO	YES	3	-	22.25[.876]	16.51[.650]	15.24[.600]	14	609-1430	4-1437020-6
OBSOLETE	YES	NO	3	22.15[.872]	22.25[.876]	16.51[.650]	15.24[.600]	14	609-1401M	4-1437020-4
OBSOLETE	NO	NO	3	-	22.25[.876]	16.51[.650]	15.24[.600]	14	609-1400M	4-1437020-2
OBSOLETE	YES	YES	3	17.07[.672]	17.07[.672]	11.43[.450]	10.16[.400]	10	609-1041	3-1437020-9
OBSOLETE	NO	YES	3	-	17.17[.676]	11.43[.450]	10.16[.400]	10	609-1030	3-1437020-0
OBSOLETE	YES	NO	3	17.07[.672]	17.07[.672]	11.43[.450]	10.16[.400]	10	609-1001M	2-1437020-7
OBSOLETE	NO	NO	3	-	17.17[.676]	11.43[.450]	10.16[.400]	10	609-1000M	2-1437020-4
OBSOLETE	YES	YES	3	11.99[.472]	12.09[.476]	6.35[.250]	5.08[.200]	6	609-0641	2-1437020-2
OBSOLETE	NO	YES	3	-	12.09[.476]	6.35[.250]	5.08[.200]	6	609-0630	2-1437020-0
OBSOLETE	YES	NO	3	11.99[.472]	12.09[.476]	6.35[.250]	5.08[.200]	6	609-0601M	1-1437020-9
OBSOLETE	NO	NO	3	-	12.09[.476]	6.35[.250]	5.08[.200]	6	609-0600M	1-1437020-8

ELECTRICAL PROPERTIES	
CURRENT RATING	1 AMP
INSULATION RESISTANCE	>1 x 10 ⁹ OHMS @ 500 VDC
DWV	>500 VRMS AT SEA LEVEL
ENVIRONMENTAL PROPERTIES	
TEMPERATURE RATING	-55°C TO 125°C

THIS DRAWING IS A CONTROLLED DOCUMENT.

DIMENSIONS: INCHES	TOLERANCES UNLESS OTHERWISE SPECIFIED:	0 PLC ± -	1 PLC ± -	2 PLC ± -	3 PLC ± 0.13[.005]	4 PLC ± -	ANGLES ± -
MATERIAL	FINISH	SEE TABLE					

THIS DRAWING IS A CONTROLLED DOCUMENT. **TYCO ELECTRONICS** Tyco Electronics Corporation, Harrisburg, PA 17105-3608
 NAME: CONNECTOR ASSEMBLY, FEMALE SOCKET TRANSITION
 SIZE: A1 CASE CODE: 9-1437021-4 DRAWING NO: 00779
 WEIGHT: CUSTOMER DRAWING SCALE: 1:1 SHEET: 1 OF 1 REV: B1